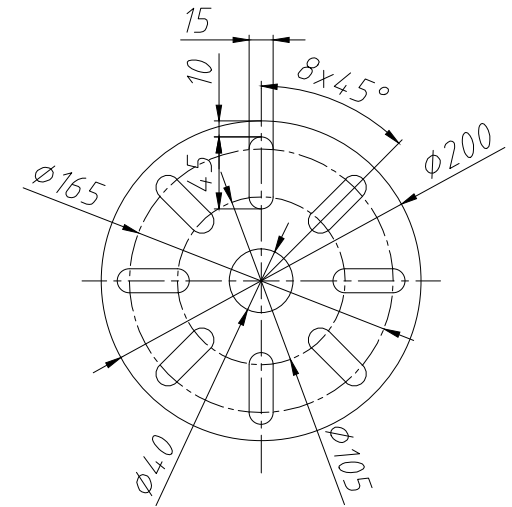
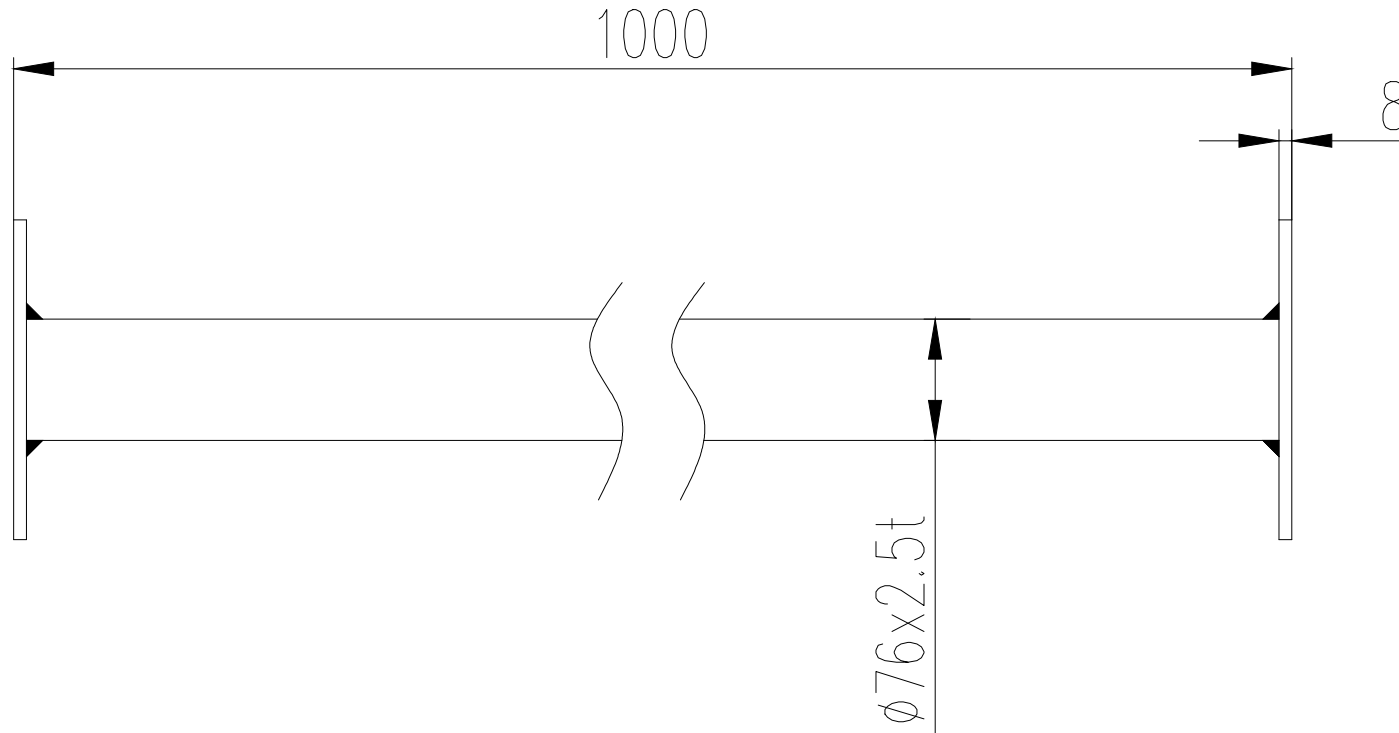


SYM	Revision	Design	Date
△			



Tolerance range		Scal	mm	
Metric	mm	Unit		
6 <	± 0.1	Design		
6-30	± 0.2	Drawing		
31-120	± 0.4	audit		
120-400	± 0.5	approval		
400-1000	± 1.0			
1000-3000	± 1.5			
> 3000	± 2.0			
		Page of		

加高桩	Material	Q235
	QTY	1

4

3

2

1

4

3

2

1