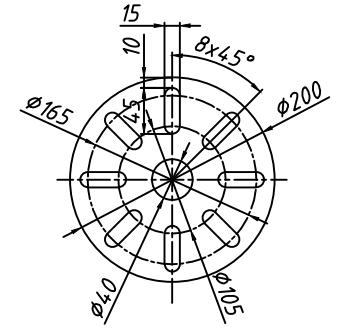
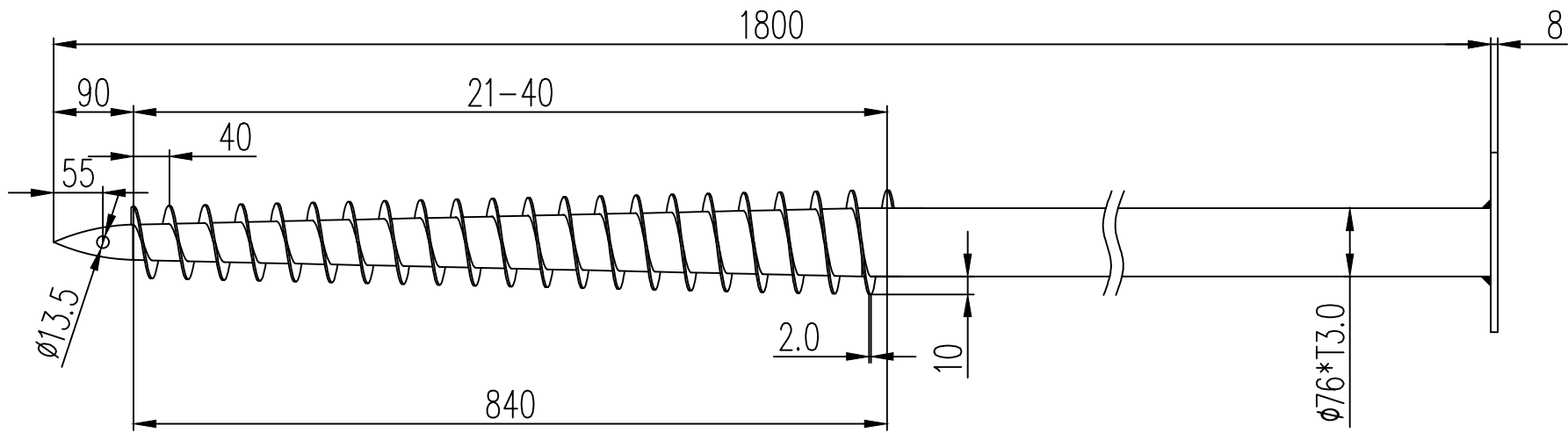


SYM	Revision	Design	Date
△			



Tolerance range		Scal	mm			
Metric	mm	Unit				
6<	± 0.1	Design			螺旋地桩 -1.8M	
6-30	± 0.2	Drawing				
31-120	± 0.3	audit				
120-400	± 0.4	approval				
400-1000	± 0.5	Page of				
					Material	Q235
					QTY	1