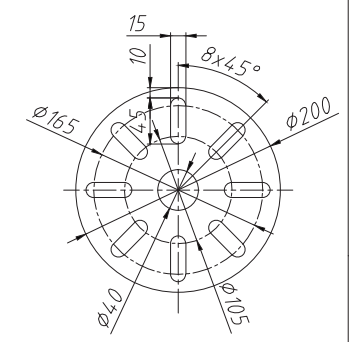
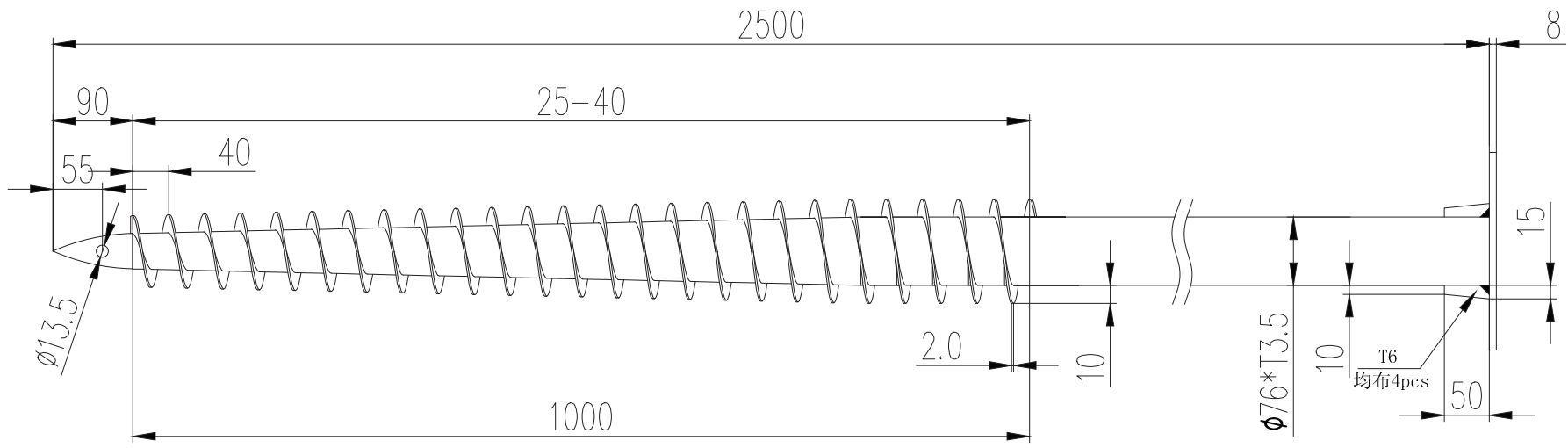


SYM	Revision	Design	Date
△			



Tolerance range		Scal	mm	
Metric	mm	Unit		
6<	± 0.1	Design		
6-30	± 0.2	Drawing		
31-120	± 0.3	audit		
120-400	± 0.4	approval		
400-1000	± 0.5	Page of		

スクリュー杭2500mm		
螺旋地杭-2.5M	Material	Q235
	QTY	1

4

3

2

1

4

3

2

1