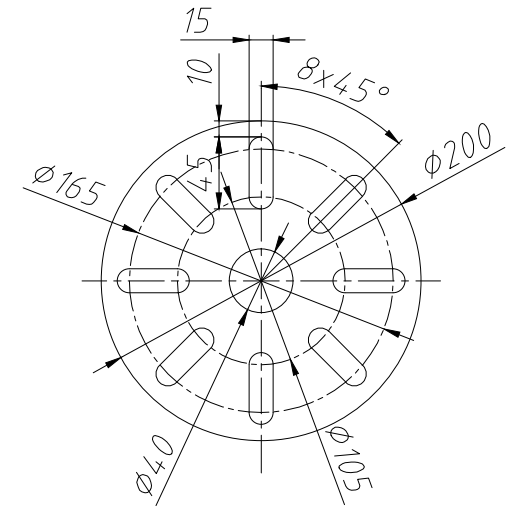
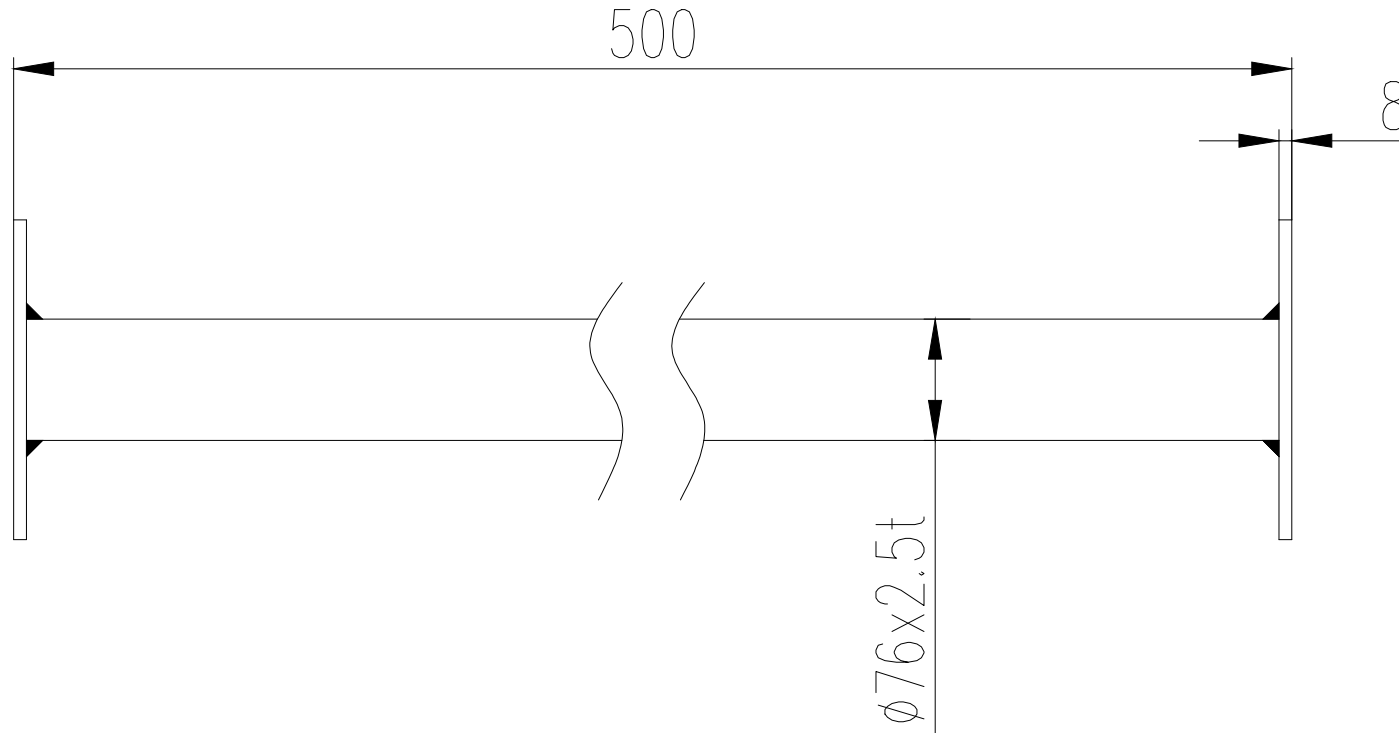
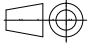


SYM	Revision	Design	Date
△			



Tolerance range		Scal	mm	
Metric	mm	Unit		
6 <	±0.1	Design		
6-30	±0.2	Drawing		
31-120	±0.4	audit		
120-400	±0.5	approval		
400-1000	±1.0			
1000-3000	±1.5			
> 3000	±2.0			

Page 2 of 2		加高桩	Material	Q235
			QTY	1